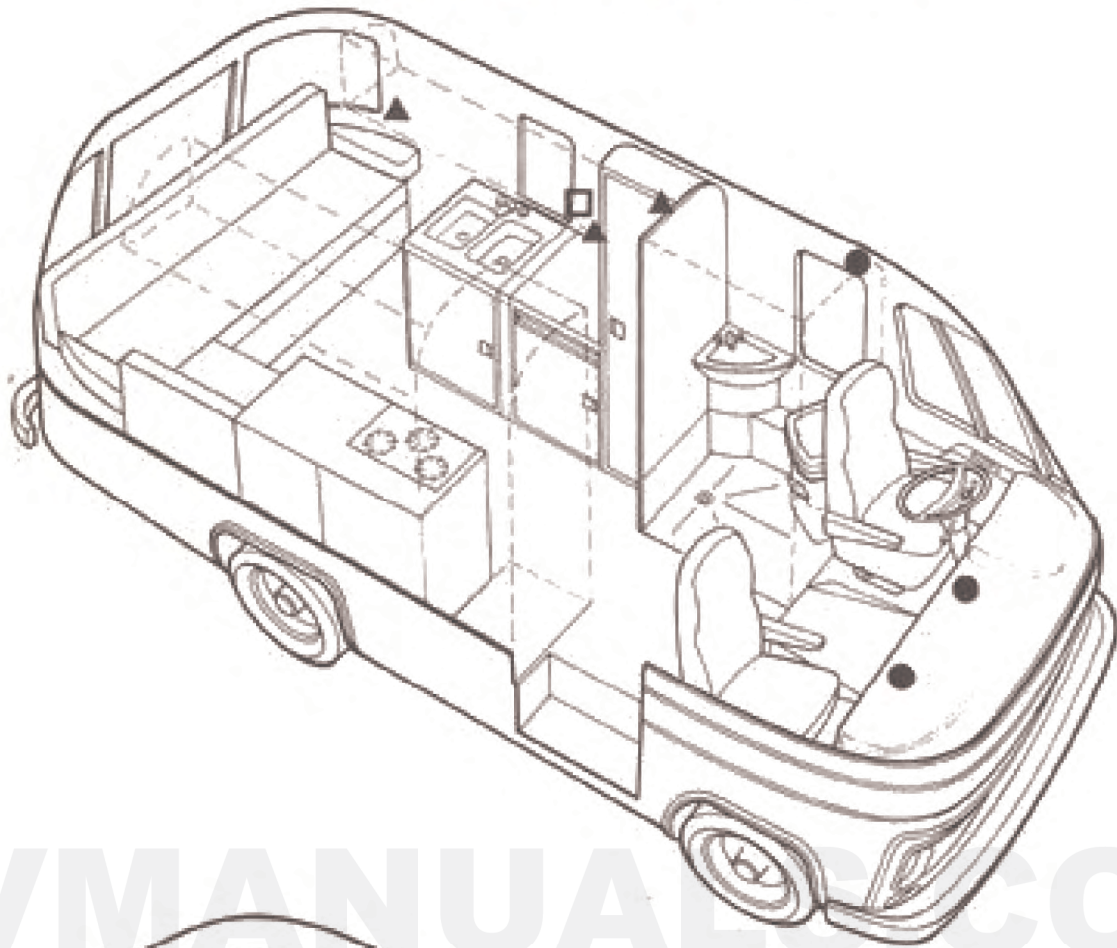
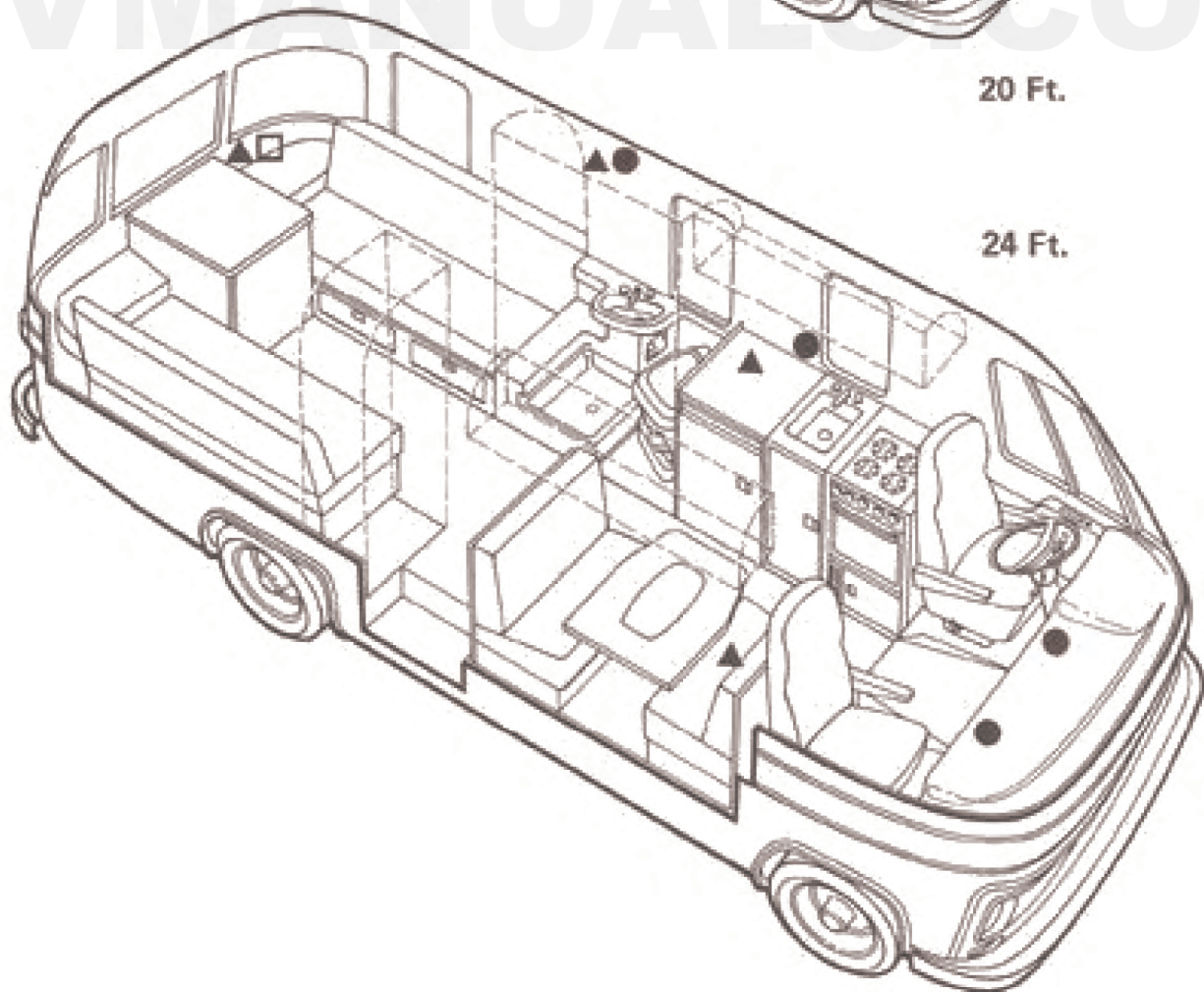


1974 Argosy RV's



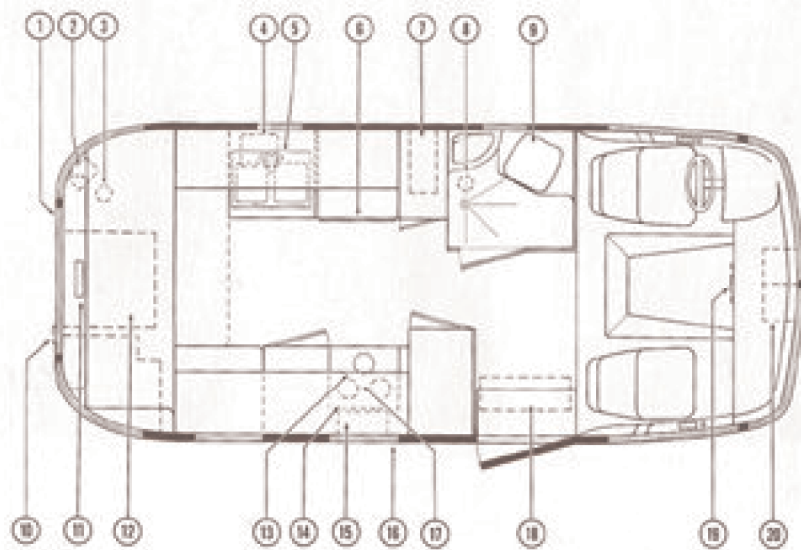
20 Ft.



24 Ft.

RVMANUALS.COM

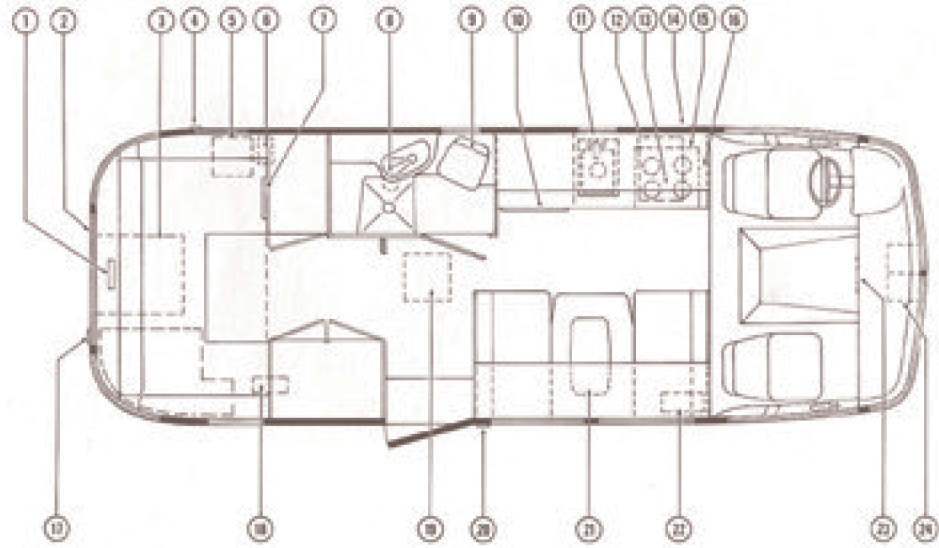
No.	Description	Page No.
1.	Electrical Inlet – City	91
2.	120 Volt Circuit Breaker Panel	91
3.	Water Pump	86
4.	Water Heater	82
5.	Sink	76
6.	Refrigerator	80
7.	Furnace	85
8.	Waste Outlet	88
9.	Toilet	89
10.	Water Inlet – City	86
11.	Clock and Thermometer	77
12.	Generator	89
13.	Central Control Panel	78
14.	Range and Oven	84
15.	Univolt	91
16.	Gasoline Fill	32
17.	Range Exhaust Hood	84
18.	L.P.G. Tank and Regulator	79
19.	Stereo AM/FM Radio/Tape	28
20.	Batteries	38



20 Ft. Side Pull-Out

Floor Plans

No.	Description	Page No.
1.	Clock and Thermometer	77
2.	Electrical Inlet – City	91
3.	Generator	92
4.	Water Inlet – City	86
5.	Water Heater	85
6.	120 Volt Circuit Breaker	91
7.	Bed Lights	76
8.	Waste Outlet	88
9.	Toilet	75-89
10.	Refrigerator	80
11.	Sink	76
12.	Furnace	82
13.	Central Control Panel	78
14.	LPG Tank and Regulator	79
15.	Range and Oven	84
16.	Range Exhaust Hood	84
17.	Water Inlet – Tank	86
18.	Water Pump	86
19.	Air Conditioner	77
20.	Gasoline Fill	32
21.	Dinette	74
22.	Univolt	91
23.	Stereo AM/FM Radio/Tape	28
24.	Batteries	38



24 Ft. Double

24 Ft. Twin

