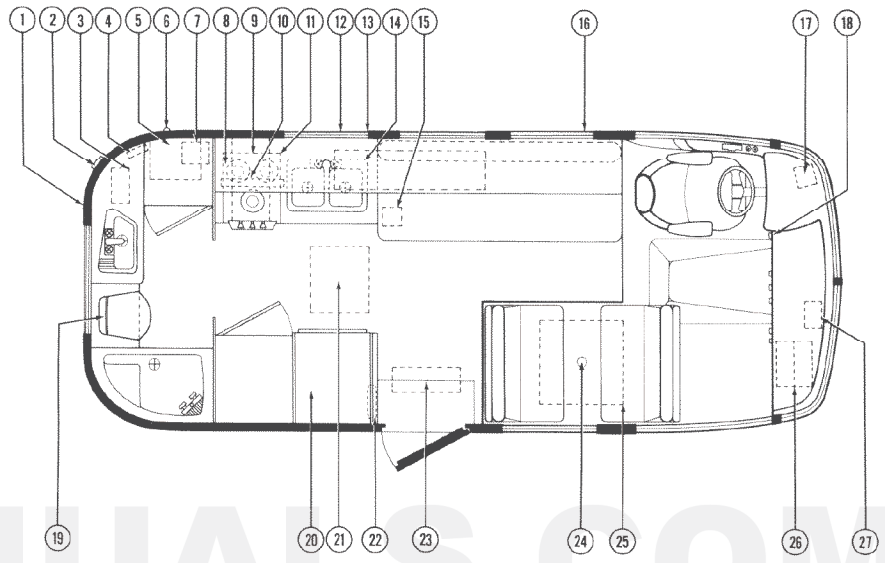


1976 Argosy Floor Plans

Floor Plans

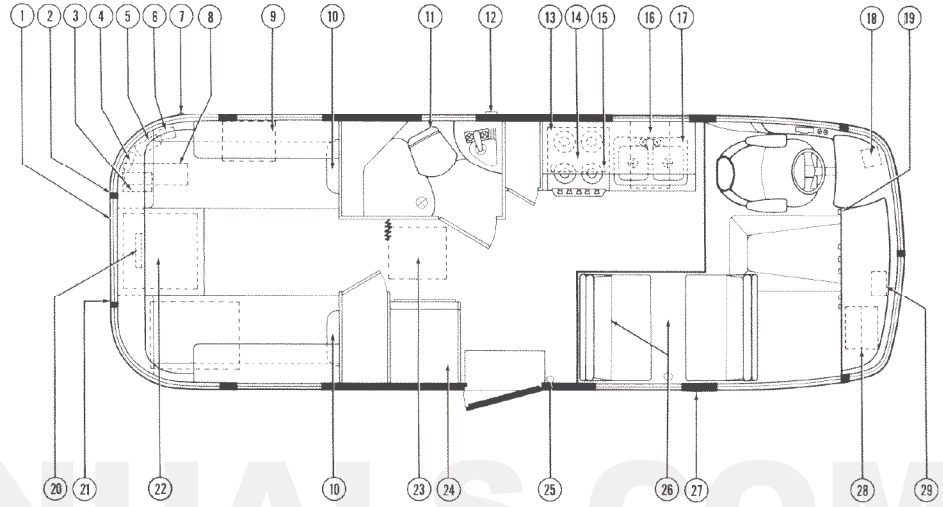
No.	Description	Page No.
1.	Water Inlet—City.....	104
2.	Waste Outlet.....	106
3.	Univolt.....	108
4.	12 Volt Distribution Panel.....	65
5.	Water Heater.....	102
6.	Polarity Light.....	108
7.	120 Volt Distribution Panel.....	109
8.	Range Exhaust Hood.....	101
9.	Furnace.....	98
10.	Central Control Panel.....	94, 131
11.	Range.....	101
12.	Water Inlet (Tank).....	104
13.	Electrical Inlet—City.....	68, 108
14.	Sink.....	91
15.	Water Pump.....	104
16.	Gas Fill.....	40
17.	12 Volt Fuse Panel (Chassis)....	65, 133
18.	Stereo AM /FM Radio /Tape.....	36-37
19.	Toilet.....	107
20.	Refrigerator.....	96
21.	Air Conditioner.....	92
22.	Fire Extinguisher.....	111
23.	LPG Tank and Regulator.....	95
24.	Convertible Dinette.....	89-91
25.	Generator.....	110
26.	Batteries.....	44
27.	Battery Fuses.....	133



20 Ft. Model

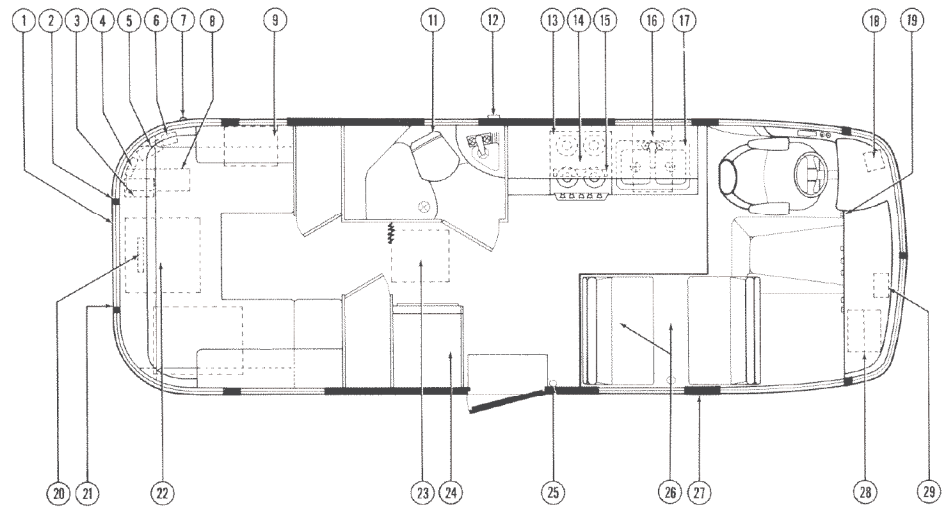
No. Description Page No.

1. Electrical Inlet—City	68, 108
2. Water Inlet—City	104
3. Univolt	108
4. 12 Volt Distribution Panel	65
5. 120 Volt Distribution Panel	109
6. Water Pump	104
7. Polarity Light	108
8. LPG Tank and Regulator	95
9. Water Heater	102
10. Bed Light	91
11. Toilet	107
12. Waste Outlet	106
13. Range	101
14. Range Exhaust Hood	101
15. Central Control Panel	94, 131
16. Furnace	98
17. Sink	91
18. 12 Volt Fuse Panel	65, 133
19. Stereo AM / FM Radio / Tape	36-37
20. Clock and Thermometer	92
21. Water Inlet (Tank)	104
22. Generator	110
23. Air Conditioner	92
24. Refrigerator	96
25. Fire Extinguisher	111
26. Dinette	87-89
27. Gas Fill	40
28. Batteries	44
29. Battery Fuses	133

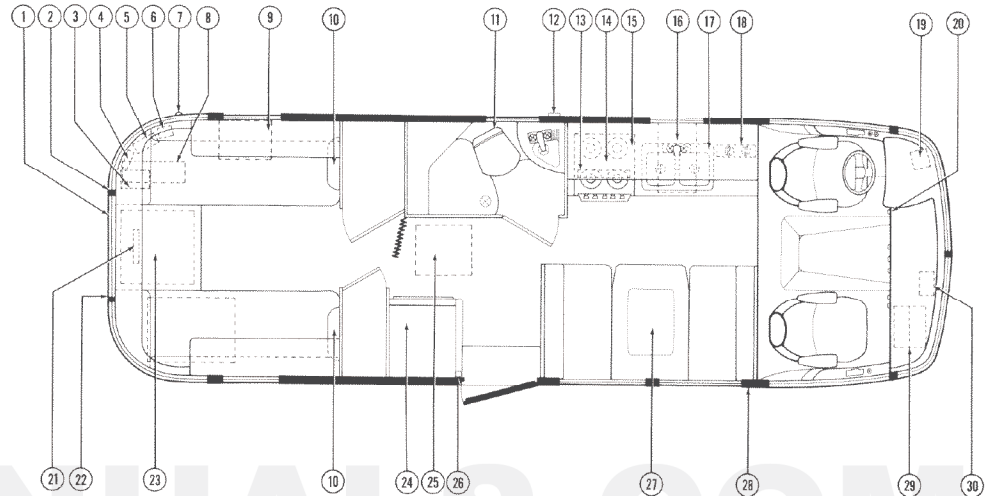


24 Ft. Twin

24 Ft. Double

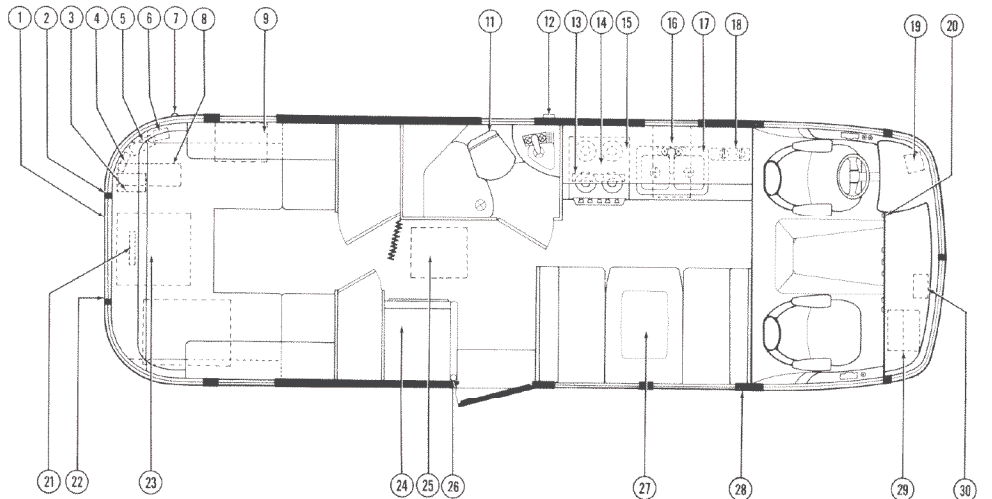


No.	Description	Page No.
1.	Electrical Inlet—City	68, 108
2.	Water Inlet—City	104
3.	Univolt	108
4.	12 Volt Distribution Panel.....	65
5.	120 Volt Distribution Panel.....	109
6.	Water Pump	104
7.	Polarity Light	108
8.	LPG Tank and Regulator.....	95
9.	Water Heater	102
10.	Bed Light	91
11.	Toilet	107
12.	Waste Outlet.....	106
13.	Central Control Panel.....	94, 131
14.	Range Exhaust Hood	101
15.	Range.....	101
16.	Furnace	98
17.	Sink	91
18.	Nutone Kitchen Center.....	—
19.	12 Volt Fuse Panel (Chassis)....	65, 133
20.	Stereo AM / FM Radio / Tape	36–37
21.	Clock and Thermometer.....	92
22.	Water Inlet (Tank).....	104
23.	Generator.....	110
24.	Refrigerator	96
25.	Air Conditioner	92
26.	Fire Extinguisher	111
27.	Fixed Dinette	91
28.	Gas Fill	40
29.	Batteries	44
30.	Battery Fuses	133

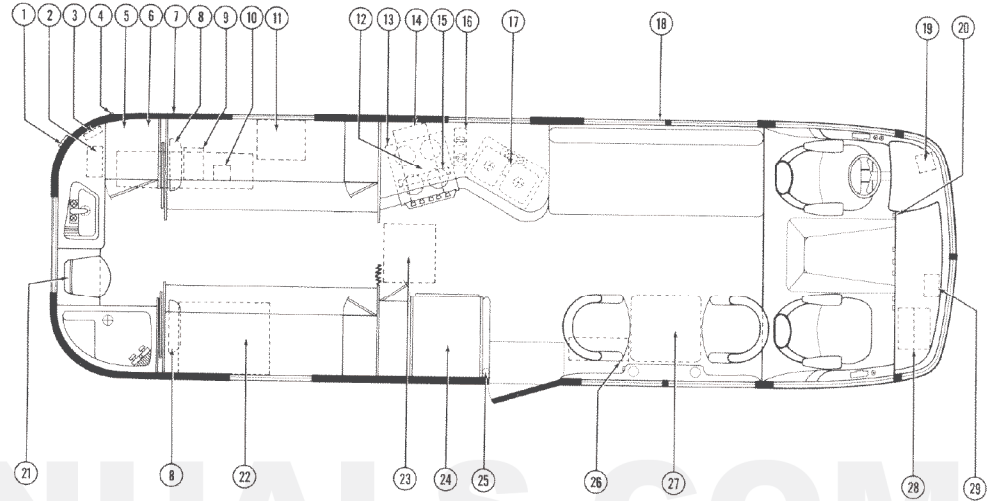


26 Ft. Twin

26 Ft. Double

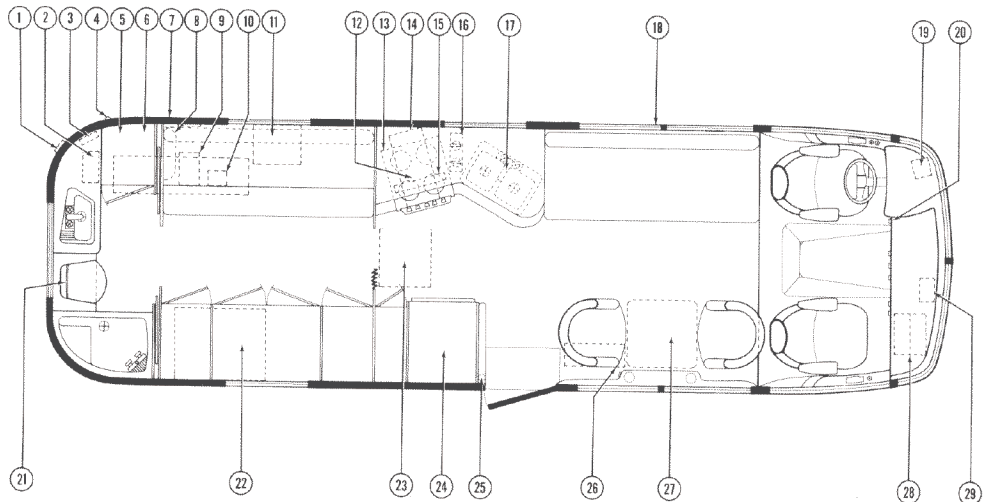


No.	Description	Page No.
1.	Waste Outlet.....	106
2.	Univolt	108
3.	12 Volt Distribution Panel.....	65
4.	Polarity Light	108
5.	Water Inlet—City.....	104
6.	Electrical Inlet—City	68, 108
7.	Water Inlet—Tank.....	104
8.	Bed Light	91
9.	120 Volt Distribution Panel.....	109
10.	Water Pump	104
11.	Water Heater	102
12.	Range Exhaust Hood	101
13.	Range	101
14.	Furnace	98
15.	Central Control Panel.....	94, 131
16.	Nutone Kitchen Center.....	—
17.	Sink	91
18.	Gas Fill	40
19.	12 Volt Fuse Panel (Chassis)	65, 133
20.	Stereo AM/FM Radio/Tape	36–37
21.	Toilet	107
22.	Generator.....	110
23.	Air Conditioner	92
24.	Refrigerator	96
25.	Fire Extinguisher	111
26.	LPG Tank and Regulator.....	95
27.	Credenza.....	—
28.	Batteries	44
29.	Front Distribution Panel (Chassis) ...	133



28 Ft. Twin

28 Ft. Double





... the All New

28 ft. **ARGOSY** Motor Home

For '76

You'll find Argosy Motorhomes all new and exciting from the inside out for 1976. When you buy an Argosy... you buy value. Value like: The famous Airstream characteristics including light weight, strong, all-aluminum aerodynamic body for minimum air drag and maximum fuel economy; radius corner slider windows; lots of storage and counter space; name brand appliances, durable and easy-to-clean fabrics and surfaces; spacious and sensible floor plans.

Argosy is centered around a totally engineered approach for 1976 to achieve elegant on and off the road travel and livability. A unifying of performance and luxury. All of the first order.

Built on a Chevrolet chassis the driver's compartment was engineered for comfort, and a superb handling control. Take command with full compliment of automotive and household instruments, including unique optical display of vehicle function and system. From the driver's compartment back, the Argosy features throughout an experience in luxury living with plush carpeting, custom made drapes and color coordinated fabrics. Walls in easy-care vinyl clad aluminum and a luxury appointed bath with all the convenience of home.

Many outstanding features from the 1975 Argosy will still appear on the 1976 model, but in addition you'll find these new items for 1976:

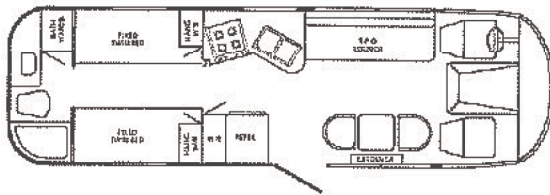
- A 454 cubic inch engine is standard.
- Headlight warning system.
- Retractable seat belts.
- Deluxe contoured swivel and height adjusting seat for driver.
- Nitra-Therm vista view skylight windows.
- Sliding window over kitchen galley area.
- New dynamic built-in overhead valance lighting in main living area with rheostat and four reading lights.
- New step well entrance lighting, floor level.
- Aisle lighting of floor level as well as overhead.
- 50 Gallon fresh water capacity.
- Mirror front oven door.
- Built-in automatic igniter for furnace.
- Stainless steel bifold range cover.
- His and Hers full length wardrobes.
- All new easy roll-up Tambour doors with flush handles.

- Beverage Center features bottle and glass storage.
- New spacious galley with overcounter storage.
- Rear privacy room dividers.
- New Mark IV Lounge.
- New multi-positioning dinette table with built-in extension.
- Valanced draperies.
- Two swivel chairs.

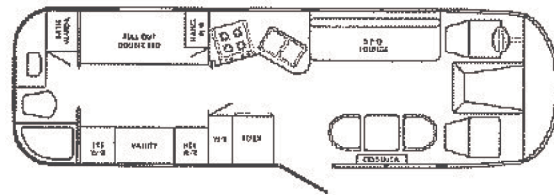
New Optional Equipment available on the 1976, 28' Motorhome are:

- Bay Breeze 13,500 BTU air conditioner equipped with auxiliary 5,500 BTU heater.
- Nutone Food Center equipped with mixer, blender and knife sharpener.
- Convenient centrally located vacuum cleaner.
- RM-100 two door gas/electric refrigerator with extra large freezer compartment.

The real proof is seeing for yourself... So take a look. If having the time of your life... as well as getting the most for your money... is what you want, then what you want is Argosy.



28' Argosy Twin Bed



28' Argosy Double Bed